








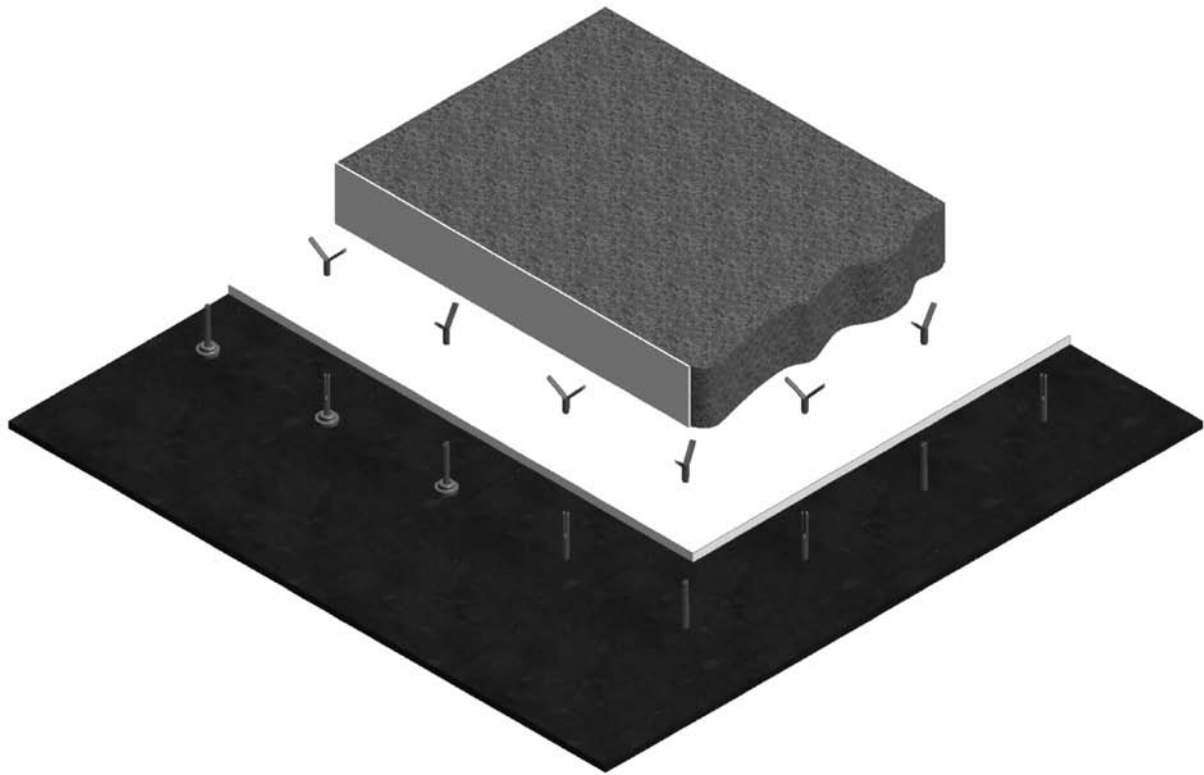


AS Schöler + Bolte

Product overview 03

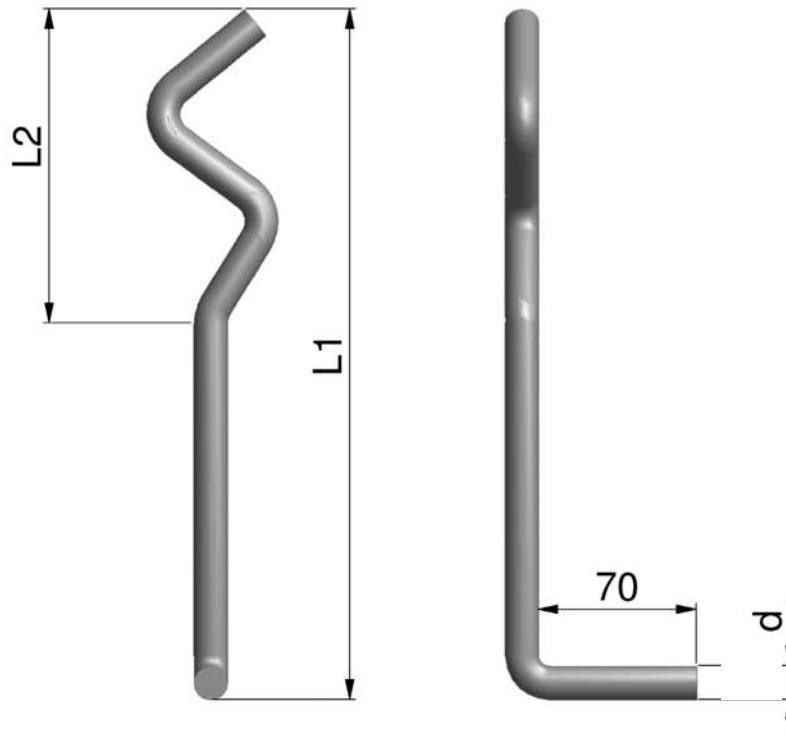
 <p>CR</p>	 <p>KS</p>
 <p>SF</p>	 <p>SFG</p>
 <p>SYP</p>	 <p>SYS</p>
 <p>SYT</p>	 <p>SWP</p>
 <p>WS</p>	



Sample of installation: Product category 3

AS Schöler + Bolte

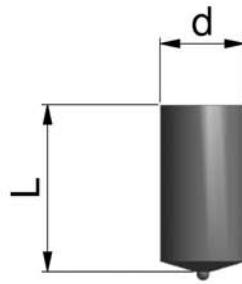
Refractory Anchoring Systems



CR-8-250-100-1.4841

Stud type
Diameter d
Stud height L_1
Length L_2
Alloy type

09 Plastic caps



KS-10-20-1.4841

Stud type

Diameter d

Stud length L

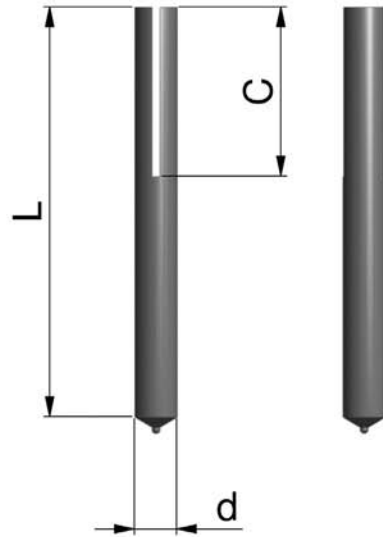
Alloy type

09 Ferrules

10 Stud welding unit/ Welding gun

AS Schöler + Bolte

Refractory Anchoring Systems

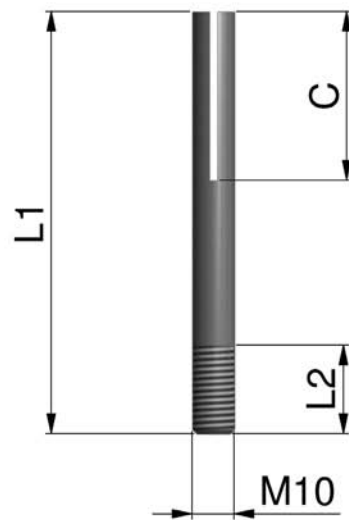


SF-10-100-40-1.4841

Stud type
Stud diameter d
Stud length L
Slot length C
Alloy type

09 Ferrules

10 Stud welding unit/ Welding gun



SFG-M10-100-30-40-1.4841

Stud type

Thread diameter M

Stud length L1

Thread length L2

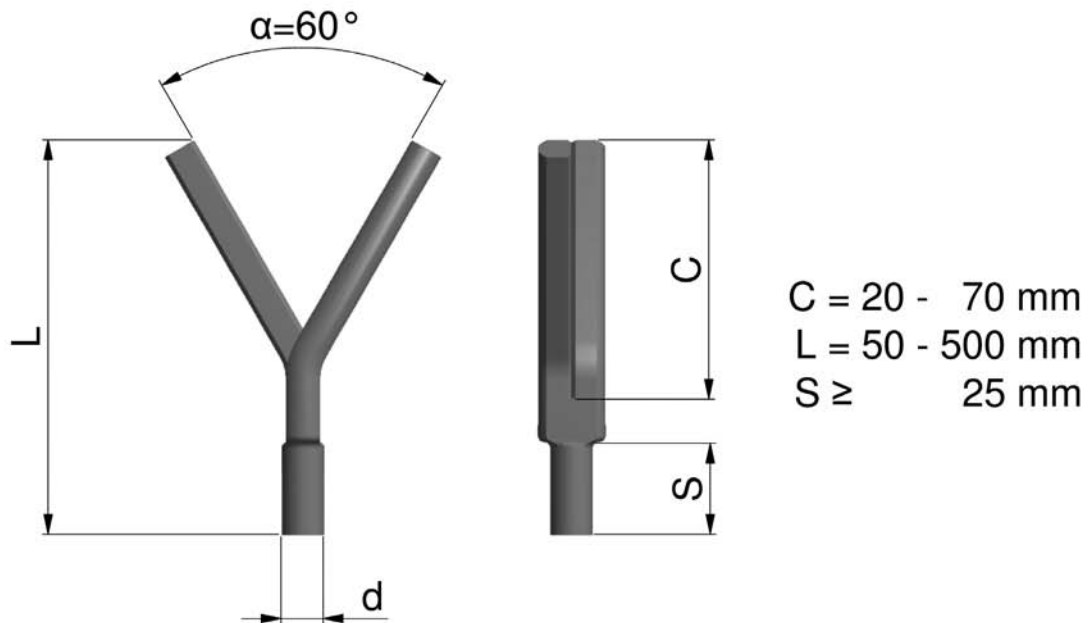
Slot length C

Alloy type

07 Tapped stud

AS Schöler + Bolte

Refractory Anchoring Systems



SYP-10-100-50-1.4841

Stud type

Shaft diameter d

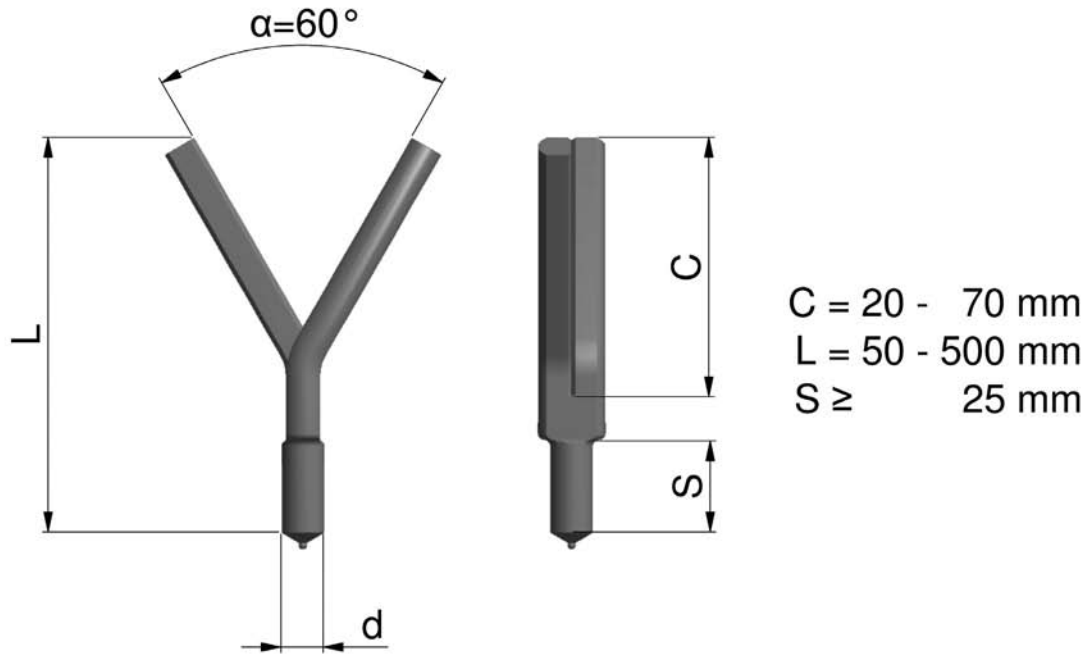
Stud length L

Slot length C

Alloy type

AS Schöler + Bolte

Refractory Anchoring Systems

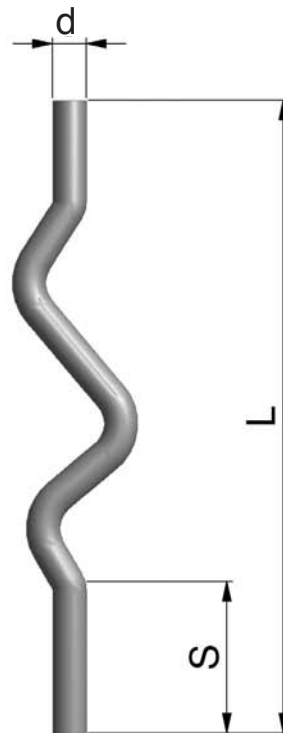


SYS-10-100-50-1.4841

Stud type
 Shaft diameter d
 Stud length L
 Slot length C
 Alloy type

09 Ferrules

10 Stud welding unit/ Welding gun

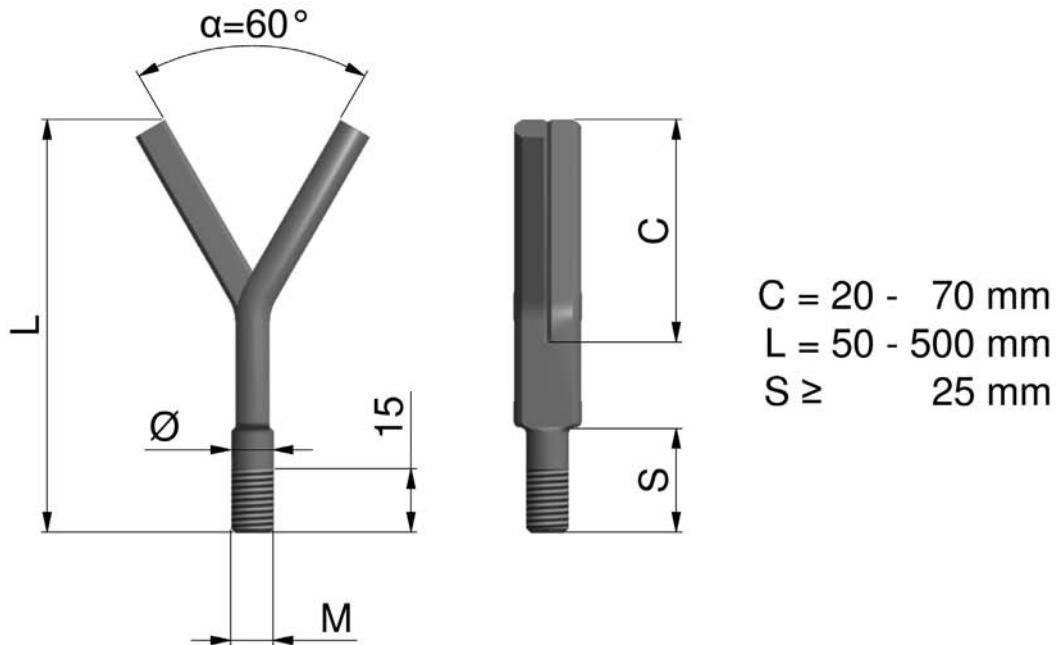


SWP-8-150-35-1.4841

Stud type
Shaft diameter d
Stud length L
Step S
Alloy type

AS Schöler + Bolte

Refractory Anchoring Systems



SYT-10-100-50-1.4841

Stud type

Thread diameter M

Stud length L

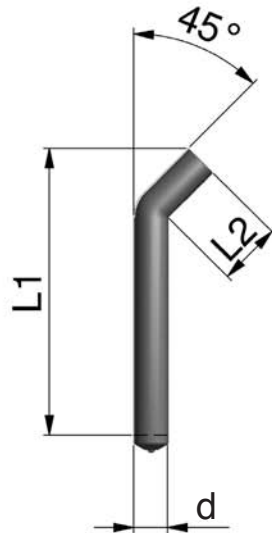
Slot length C

Alloy type

07 Tapped stud

AS Schöler + Bolte

Refractory Anchoring Systems



Ø6 ohne Aluminiumkugel
 Ø8 mit Aluminiumkugel

WS-6-70-25-1.4841

Stud type
 Diameter d
 Stud length L1
 Length L2
 Alloy type

09 Ferrules

10 Stud welding unit/ Welding gun