

AS Schöler + Bolte

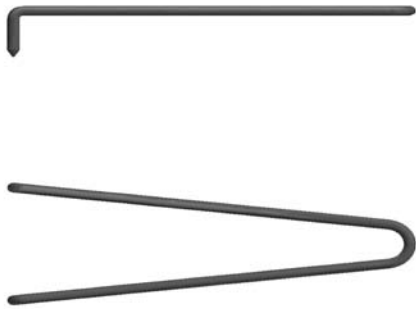
Product overview 04



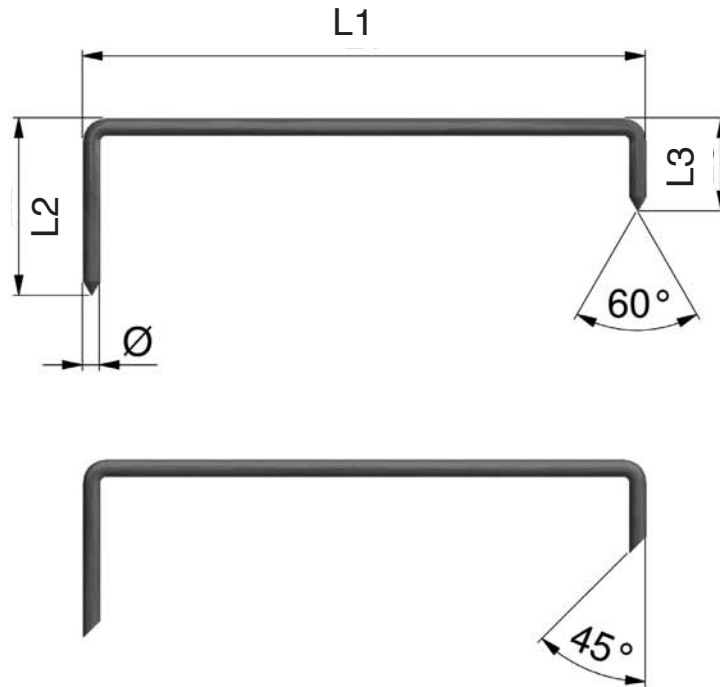
BSTP1



BSTP2



BSTP3



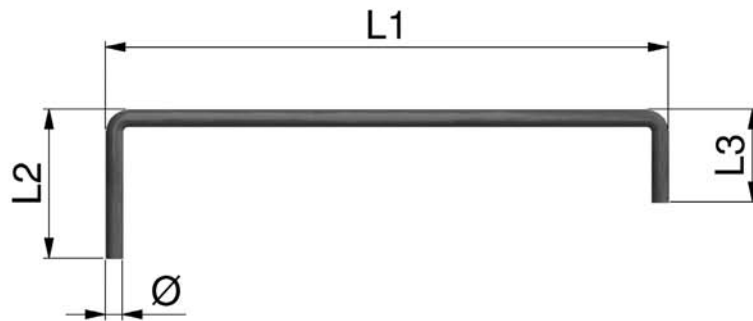
BSTP1-5-200-30-20-1.4841

Anchor type
 Diameter Ø
 Anchor length L1
 Length L2
 Length L3
 Alloy type

07 Rectangular stud

AS Schöler + Bolte

Refractory Anchoring Systems



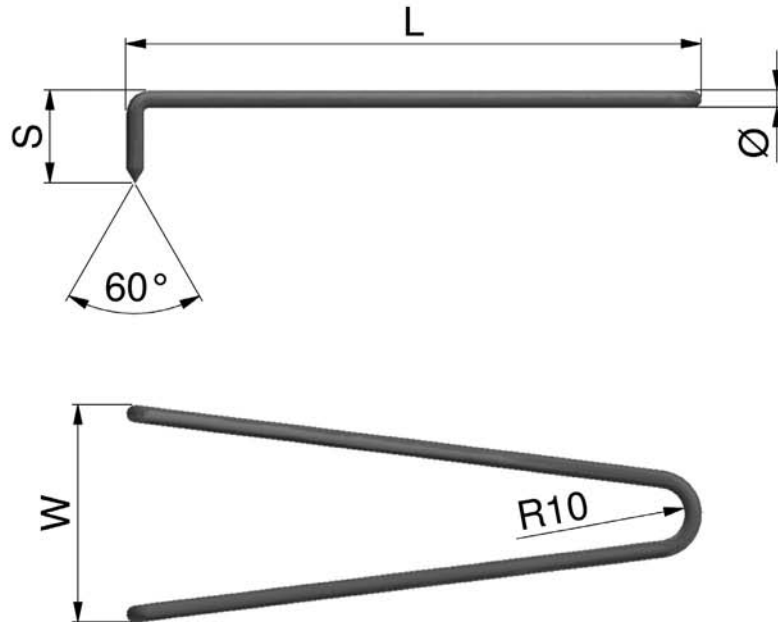
BSTP2-6-200-60-30-1.4841

Anchor type
Diameter \varnothing
Anchor length L
Length L2
Length L3
Alloy type

07 Rectangular stud

AS Schöler + Bolte

Refractory Anchoring Systems



BSTP3-5-200-75-30-1.4841

Anchor type
Diameter Ø
Anchor length L
Width W
Length S
Alloy type